

TYPE 1 CONTINUOUS HINGE ENCLOSURES WITH KEYED LOCK

1-4

TYPE 1 ENCLOSURES



Industry Standards
UL 508A, Type 1
NEMA Type 1



UL File E235575

Applications:

Designed for indoor applications, which do not have oil-tight and dust-tight requirements.

Construction:

- Steel fabricated doors and enclosures.
- Door and body stiffeners installed when width is greater than 30 inches.
- Doors secured with continuous hinges and keyed quarter turn latch.
- Mounting holes supplied on back of enclosure.
- Enclosure design allows mounting with doors opening either left or right.
- Standoff provided for mounting of optional back panels.
- Various sizes of knockouts are supplied on all four sides of the enclosure.
- Locks are keyed alike.

Finish:

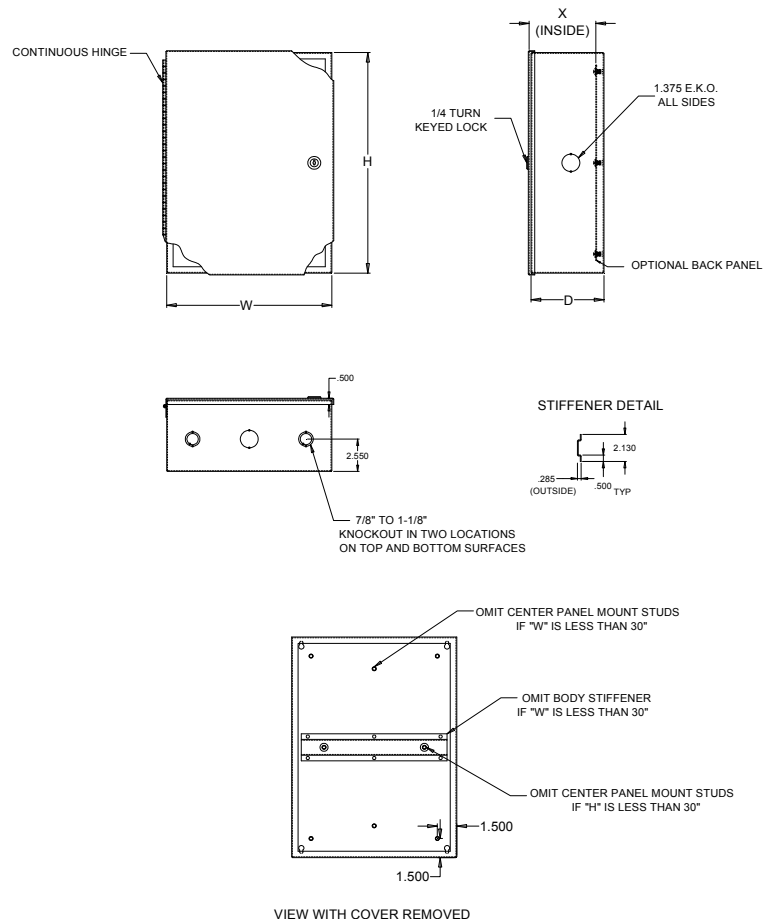
- ANSI-61 gray powder coat.

Accessories:

- Back panels (see reference chart, pg. 6-1)

Options:

- Custom sizes available, please call for details.
- Optional colors available, please call for details.



211 INDUSTRIAL COURT
WABASHA, MN 55981

Phone: (651) 565-3395
Fax: (651) 565-2787
E-mail: info@thomasindustriesinc.com
www.thomasindustriesinc.com

*DATA SUBJECT TO CHANGE WITHOUT NOTICE

TYPE 1 CONTINUOUS HINGE ENCLOSURES WITH KEYED LOCK

Enclosure Catalog Number	Enclosure Size H x W x D	Body/Door Steel Gauge	X	Back Panel Catalog Number			Back Panel Size A x B	Back Panel Gauge
				PP	P2	PS		
N1C-080604K	8.00" x 6.00" x 4.00"	16/16	3.515"	PP-0806	P2-0806	PS-0806	6.750" x 4.875"	14
N1C-100804K	10.00" x 8.00" x 4.00"	16/16	3.515"	PP-1008	P2-1008	PS-1008	8.750" x 6.875"	14
N1C-121006K	12.00" x 10.00" x 6.00"	16/16	5.515"	PP-1210	P2-1210	PS-1210	10.750" x 8.875"	14
N1C-121204K	12.00" x 12.00" x 4.00"	16/16	3.515"	PP-1212	P2-1212	PS-1212	10.750" x 10.875"	14
N1C-121206K	12.00" x 12.00" x 6.00"	16/16	5.515"	PP-1212	P2-1212	PS-1212	10.750" x 10.875"	14
N1C-121208K	12.00" x 12.00" x 8.00"	16/16	7.515"	PP-1212	P2-1212	PS-1212	10.750" x 10.875"	14
N1C-141206K	14.00" x 12.00" x 6.00"	16/16	5.515"	PP-1412	P2-1412	PS-1412	12.750" x 10.875"	14
N1C-141208K	14.00" x 12.00" x 8.00"	16/16	7.515"	PP-1412	P2-1412	PS-1412	12.750" x 10.875"	14
N1C-161206K	16.00" x 12.00" x 6.00"	16/16	5.515"	PP-1612	P2-1612	PS-1612	14.750" x 10.875"	14
N1C-161206DK	16.00" x 12.00" x 6.625"	16/16	6.140"	PP-1612	P2-1612	PS-1612	14.750" x 10.875"	14
N1C-161606DK	16.00" x 16.00" x 6.625"	16/16	6.140"	PP-1616	P2-1616	PS-1616	14.750" x 14.875"	14
N1C-171205K	17.375" x 12.75" x 5.625"	16/16	5.140"	PP-1712	P2-1712	PS-1712	16.375" x 11.625"	14
N1C-181606K	18.00" x 16.00" x 6.00"	16/16	5.515"	PP-1816	P2-1816	PS-1816	16.750" x 14.875"	14
N1C-182006K	18.00" x 20.00" x 6.00"	16/16	5.515"	PP-1820	P2-1820	PS-1820	16.750" x 18.875"	14
N1C-201606DK	20.00" x 16.00" x 6.625"	16/14	6.140"	PP-2016	P2-2016	PS-2016	18.750" x 14.875"	14
N1C-201608DK	20.00" x 16.00" x 8.625"	16/14	8.140"	PP-2016	P2-2016	PS-2016	18.750" x 14.875"	14
N1C-202006DK	20.00" x 20.00" x 6.625"	16/14	6.140"	PP-2020	P2-2020	PS-2020	18.750" x 18.875"	14
N1C-202008DK	20.00" x 20.00" x 8.625"	16/14	8.140"	PP-2020	P2-2020	PS-2020	18.750" x 18.875"	14
N1C-242006K	24.00" x 20.00" x 6.00"	16/14	5.515"	PP-2420	P2-2420	PS-2420	22.750" x 18.875"	14
N1C-242006DK	24.00" x 20.00" x 6.625"	16/14	6.140"	PP-2420	P2-2420	PS-2420	22.750" x 18.875"	14
N1C-242009K	24.00" x 20.00" x 9.375"	16/14	8.890"	PP-2420	P2-2420	PS-2420	22.750" x 18.875"	14
N1C-242406K	24.00" x 24.00" x 6.00"	16/14	5.515"	PP-2424	P2-2424	PS-2424	22.750" x 22.875"	14
N1C-242406DK	24.00" x 24.00" x 6.625"	16/14	6.140"	PP-2424	P2-2424	PS-2424	22.750" x 22.875"	14
N1C-242408DK	24.00" x 24.00" x 8.625"	16/14	8.140"	PP-2424	P2-2424	PS-2424	22.750" x 22.875"	14
N1C-242409K	24.00" x 24.00" x 9.375"	16/14	8.890"	PP-2424	P2-2424	PS-2424	22.750" x 22.875"	14
N1C-242412K	24.00" x 24.00" x 12.625"	16/14	12.140"	PP-2424	P2-2424	PS-2424	22.750" x 22.875"	14
N1C-302406DK	30.00" x 24.00" x 6.625"	16/14	6.140"	PP-3024	P2-3024	PS-3024	28.750" x 22.875"	14
N1C-302408K	30.00" x 24.00" x 8.00"	16/14	7.515"	PP-3024	P2-3024	PS-3024	28.750" x 22.875"	14
N1C-302408DK	30.00" x 24.00" x 8.625"	16/14	8.140"	PP-3024	P2-3024	PS-3024	28.750" x 22.875"	14
N1C-302412K	30.00" x 24.00" x 12.625"	14/14	12.125"	PP-3024	P2-3024	PS-3024	28.750" x 22.875"	14
N1C-353009K	35.00" x 30.00" x 9.375"	14/14	8.875"	PP-3530	P2-3530	PS-3530	33.750" x 28.875"	14
N1C-362406K	36.00" x 24.00" x 6.00"	14/14	5.500"	PP-3624	P2-3624	PS-3624	34.750" x 22.875"	14
N1C-362406DK	36.00" x 24.00" x 6.625"	14/14	6.125"	PP-3624	P2-3624	PS-3624	34.750" x 22.875"	14
N1C-362408DK	36.00" x 24.00" x 8.625"	14/14	8.125"	PP-3624	P2-3624	PS-3624	34.750" x 22.875"	14
N1C-362409K	36.00" x 24.00" x 9.375"	14/14	8.875"	PP-3624	P2-3624	PS-3624	34.750" x 22.875"	14
N1C-362412K	36.00" x 24.00" x 12.625"	14/14	12.125"	PP-3624	P2-3624	PS-3624	34.750" x 22.875"	14
N1C-423609K	42.00" x 36.00" x 9.375"	14/14	8.845"	PP-4236	P2-4236	PS-4236	40.750" x 34.875"	12
N1C-493009K	49.25" x 30.00" x 9.375"	14/14	8.845"	PP-4930	P2-4930	PS-4930	48.000" x 28.875"	12



211 INDUSTRIAL COURT
WABASHA, MN 55981

Phone: (651) 565-3395
 Fax: (651) 565-2787
 E-mail: info@thomasindustriesinc.com
www.thomasindustriesinc.com