

TYPE 4X CLAMPED COVER ENCLOSURES

5-2



Industry Standards

UL 508A, Type 2, 3R,4, 4X, 12, 13
NEMA Type 2, 3R, 4, 4X, 12, 13



UL File E235575

TYPE 4X ENCLOSURES

Application:

Designed for use as instrument enclosures, electric, hydraulic or pneumatic control housings, electrical junction boxes or terminal wiring enclosures. Provides protection where equipment may be hosed down or exposed to other wet conditions.

Construction:

- Steel fabricated covers and enclosures.
- Smooth, continuously welded seams without knockouts, cutouts, or holes.
- Welded brackets provided for enclosure mounting.
- Cover is secured with stainless steel clamps.
- Cover sealed with closed cell, oil resistant gasket.
- Internal weld studs are provided for mounting optional inner panels.
- Grounding studs are provided.

Finish:

- ANSI 61 gray powder coating inside and out over zinc primed and phosphatized surfaces. Optional panels are powder coated white.

Accessories:

- Back panels (see reference chart pg. 6-1).

Options:

- Custom sizes and colors available. Please call for details.

| Enclosure Catalog Number | Enclosure Size H x W x D | Body/Door Steel Gauge | X | Back Panel Catalog Number | | | Back Panel Size A x B | Back Panel Gauge |
|-----------------------------|-----------------------------|--------------------------|-------|---------------------------------|---------|---------|--------------------------|---------------------|
| N4XJ-080604 | 8.00" x 6.00" x 4.12" | 16/16 | 3.62" | PP-0806 | P2-0806 | PS-0806 | 6.750" x 4.875" | 14 |
| N4XJ-100804 | 10.00" x 8.00" x 4.12" | 16/16 | 3.62" | PP-1008 | P2-1008 | PS-1008 | 8.750" x 6.875" | 14 |
| N4XJ-121006 | 12.00" x 10.00" x 6.12" | 16/16 | 5.62" | PP-1210 | P2-1210 | PS-1210 | 10.750" x 8.875" | 14 |
| N4XJ-141206 | 14.00" x 12.00" x 6.12" | 16/16 | 5.62" | PP-1412 | P2-1412 | PS-1412 | 12.750" x 10.875" | 14 |
| N4XJ-141208 | 14.00" x 12.00" x 8.12" | 16/16 | 7.62" | PP-1412 | P2-1412 | PS-1412 | 12.750" x 10.875" | 14 |
| N4XJ-161406 | 16.00" x 14.00" x 6.12" | 14/14 | 5.62" | PP-1614 | P2-1614 | PS-1614 | 14.750" x 12.875" | 14 |
| N4XJ-161408 | 16.00" x 14.00" x 8.12" | 14/14 | 7.62" | PP-1614 | P2-1614 | PS-1614 | 14.750" x 12.875" | 14 |

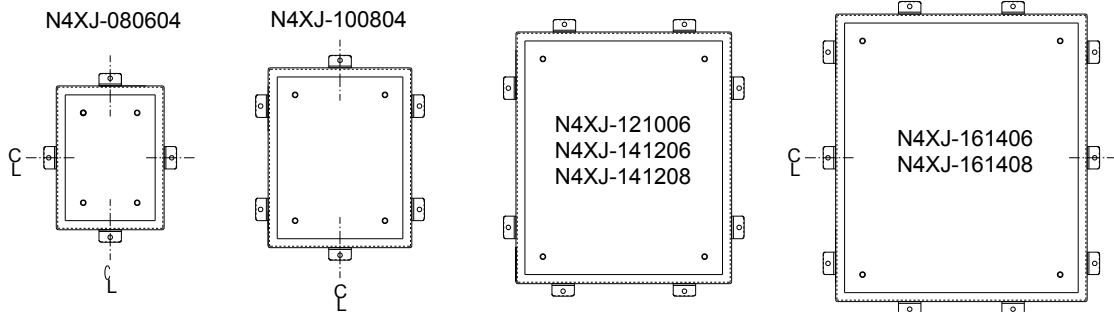
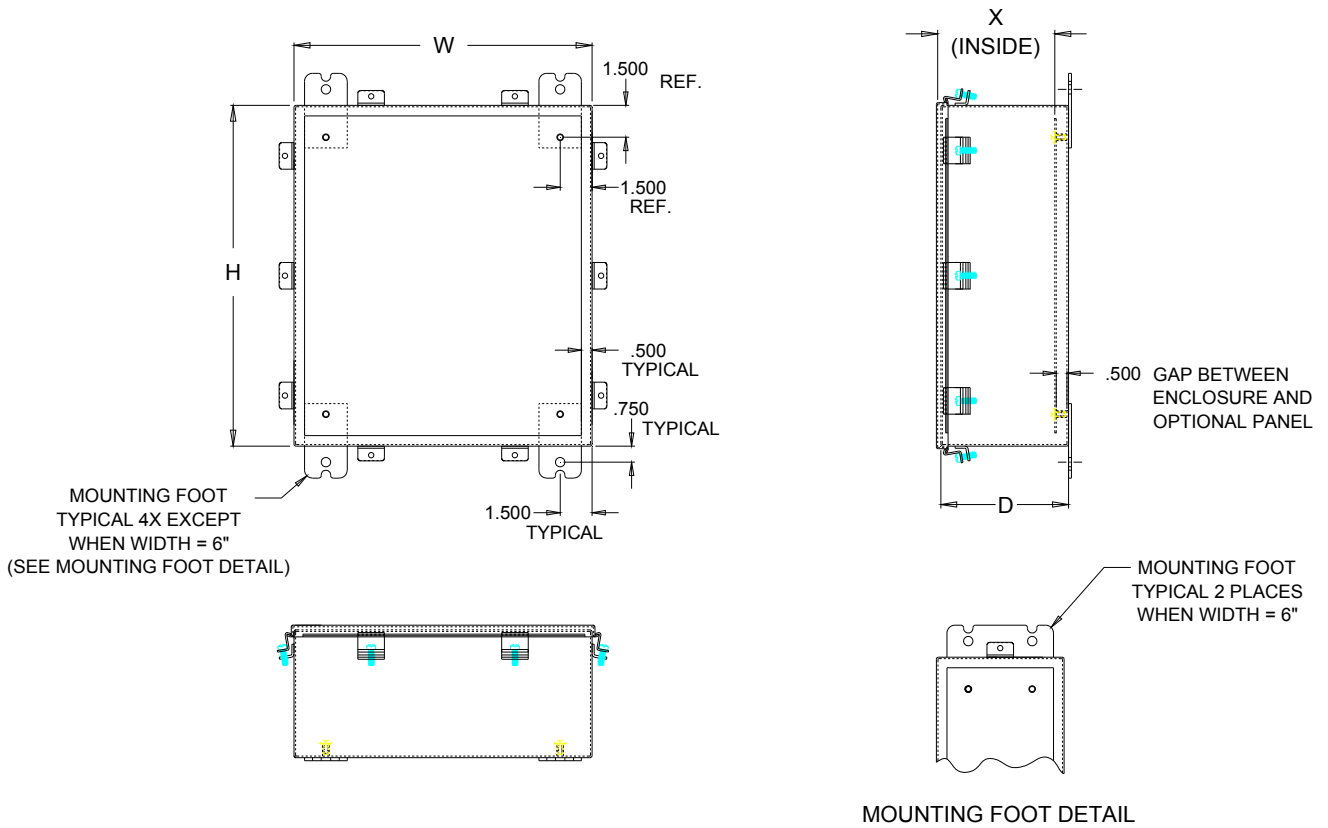


211 INDUSTRIAL COURT
WABASHA, MN 55981

Phone: (651) 565-3395
Fax: (651) 565-2787
E-mail: info@thomasindustriesinc.com
www.thomasindustriesinc.com

*DATA SUBJECT TO CHANGE WITHOUT NOTICE

TYPE 4X CLAMPED COVER ENCLOSURES



211 INDUSTRIAL COURT
WABASHA, MN 55981

Phone: (651) 565-3395
 Fax: (651) 565-2787
 E-mail: info@thomasindustriesinc.com
www.thomasindustriesinc.com